

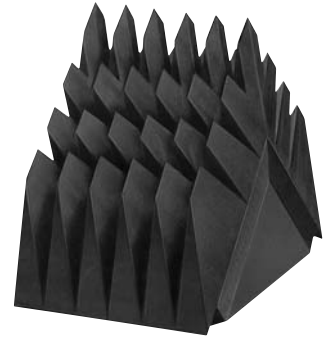
FOR EMS FLOORS

IS-S MATERIAL

An electromagnetic absorber consisting of a polyethylene foam base and utilizing the ohmic loss of carbon. Specifically designed for oblique incidence, the IS-S electromagnetic absorber provides excellent oblique incidence characteristics and can be used as electromagnetic absorbent flooring material for EMS tests from frequencies as low as 80MHz. It can also be used in microwave anechoic chambers.

IS-080S

A specially designed wedged-shaped absorber with a length of 80cm. It can be used as electromagnetic absorbent flooring material for EMS tests from frequencies as low as 80MHz. It delivers excellent oblique incidence performance starting at low frequencies.

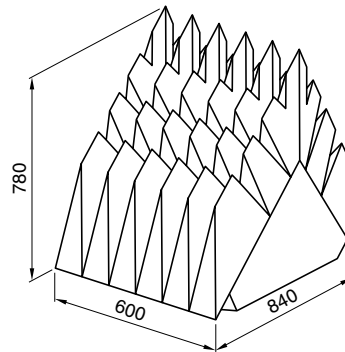


PRODUCT IDENTIFICATIONS

I S - 080 S
 (1) (2) (3) (4)

- (1) TDK electromagnetic absorbers
- (2) Base material code (S: Polyethylene foam)
- (3) Length dimensional code (080: 78cm)
- (4) For diagonal incidence

SHAPES AND DIMENSIONS



Dimensions in mm

TYPICAL ABSORPTION CHARACTERISTICS (45° INCIDENCE ANGLE)

Unit: dB

Material name		80MHz	100MHz	300MHz	500MHz	800MHz	1GHz	2GHz	3GHz
IS-080S	TE	15	15	25	27	35	35	37	55
	TM	15	15	25	27	30	35	40	55

- Representative power withstand performance: 50mW/cm² (200v/m Can be applied to EMS tests)