

FOR EMC ANECHOIC CHAMBERS

IP-BL MATERIAL

Made of base material of styrofoam combined with IP radio wave absorber, which is known for its ohmic loss properties, and IB material, which is a ferrite radio wave absorber, these products were developed for anechoic chambers.

Our composite absorbers fully utilize the features of each loss material. In the 30 to 500MHz range the IB electromagnetic absorbers, and in the higher range of 500MHz and higher the IP electromagnetic absorbers, are designed to provide efficient electromagnetic absorption and deliver excellent electromagnetic absorption performance for frequencies as low as 30MHz.

IP-090BLB, IP-130BLB

TDK's composite electromagnetic absorbers highly praised around the world. These unit-configured electromagnetic absorbers are small, lightweight, inexpensive and deliver excellent electromagnetic absorption performance over a wide bandwidth. They are used widely in anechoic chambers for 3- and 10-meter ranges as well as in large anechoic chambers designed for specific applications.

FEATURES

- Ultra-wideband electromagnetic absorber.
- Stable against acids, bases and water vapor, and offers long service life.
- Uses materials that, when burned, emit gases that are relatively harmless to humans.
- Fire retardant (NRL Classes 1, 2 and 3; UL-94HBF).
- White end caps (sold separately) improve the illumination inside the chamber.

STANDARD MATERIALS

Material name	Length (cm)	Standard weight* (kg)	Applicable anechoic chambers
IP-045C	45	3	Compact (3-meter test range), 3-meter test range (EMS floors available)
IP-045BLB	45	1.5	Compact (3-meter test range), 3-meter test range
IP-065BLB	65	2	3-meter and 10-meter test ranges
IP-090BLB	93	3	3-meter and 10-meter test ranges
IP-130BLB	128	3.5	10-meter test ranges

* Not including the mass of ferrite

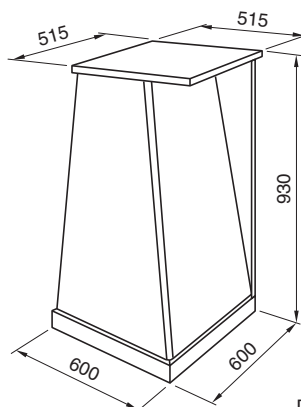


PRODUCT IDENTIFICATIONS

I P - 090 BL B
 (1) (2) (3) (4) (5)

- (1) TDK electromagnetic absorbers
- (2) Base material code (P: Styrofoam)
- (3) Length dimensional code (090: 93cm)
- (4) Structure code
- (5) Version code

SHAPES AND DIMENSIONS



Dimensions in mm

TYPICAL ABSORPTION CHARACTERISTICS (VERTICAL INCIDENCE)

Unit: dB

Material name	30MHz	50MHz	100MHz	500MHz	1GHz	5GHz	18GHz	40GHz
IP-045C	18	18	15	20	20	30	40	40
IP-045BLB	18	22	18	18	18	16	18	18
IP-065BLB	18	22	20	18	18	18	20	20
IP-090BLB	22	23	20	20	20	20	20	20
IP-130BLB	24	28	25	22	23	25	20	20

- 200v/m Can be applied to EMS tests