

FOR EMC ANECHOIC CHAMBERS

ICM MATERIAL

A composite electromagnetic absorber utilizing the characteristics of the ICM electromagnetic absorber, which is a composite magnetic loss object made of an inorganic base and ferrite powder, and the IB electromagnetic absorber that utilizes the magnetic loss of ferrite.

Our composite absorbers fully utilize the features of each loss material. In the 30 to 500MHz range the IB electromagnetic absorbers, and in the higher range of 500MHz and higher the ICM electromagnetic absorbers, are designed to provide efficient electromagnetic absorption and deliver excellent electromagnetic absorption performance for frequencies as low as 30MHz.



ICM-006

A 6-cm long composite electromagnetic absorber for ECM anechoic chambers. The absorber is small but provides excellent electromagnetic absorption performance starting at low frequencies. This product is optimally suited for anechoic chambers with 3-meter test ranges and small chambers.

Additionally, because all of these products are composed of inorganic material, they are suited for high-power irradiation tests during EMS tests.

FEATURES

- Ultra-wideband electromagnetic absorber.
- Composed of inorganic material and offers long service life.
- Composed of inorganic material and is nonflammable.
(Non-combustible material certificate no. :NM-0582)
- Suited for high-power irradiation tests.

STANDARD MATERIALS

Material name	Length (cm)	Standard weight* (kg)	Applicable anechoic chambers
ICM-006	6	0.8	Compact (3-meter test range), 3-meter and 10-meter test ranges (EMS floors available)

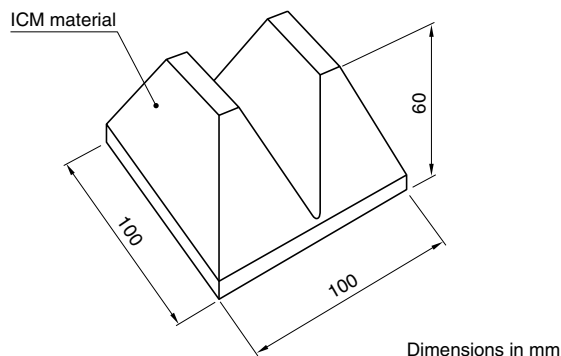
* Not including the mass of ferrite

PRODUCT IDENTIFICATIONS

I	C	M	-	006
(1)	(2)	(3)	(4)	

- (1) TDK electromagnetic absorbers
- (2) Base material code (C: Inorganic material)
- (3) Ferrite material
- (4) Length dimensional code (006: 6cm)

SHAPES AND DIMENSIONS



Notes

- Perforated IB electromagnetic absorbers are used.
- Screws are sometimes used to install items to the ceiling and walls.

TYPICAL ABSORPTION CHARACTERISTICS (VERTICAL INCIDENCE)

Unit: dB

Material name	30MHz	50MHz	100MHz	500MHz	1GHz	5GHz	10GHz	18GHz
ICM-006	14	18	20	20	20	20	20	20